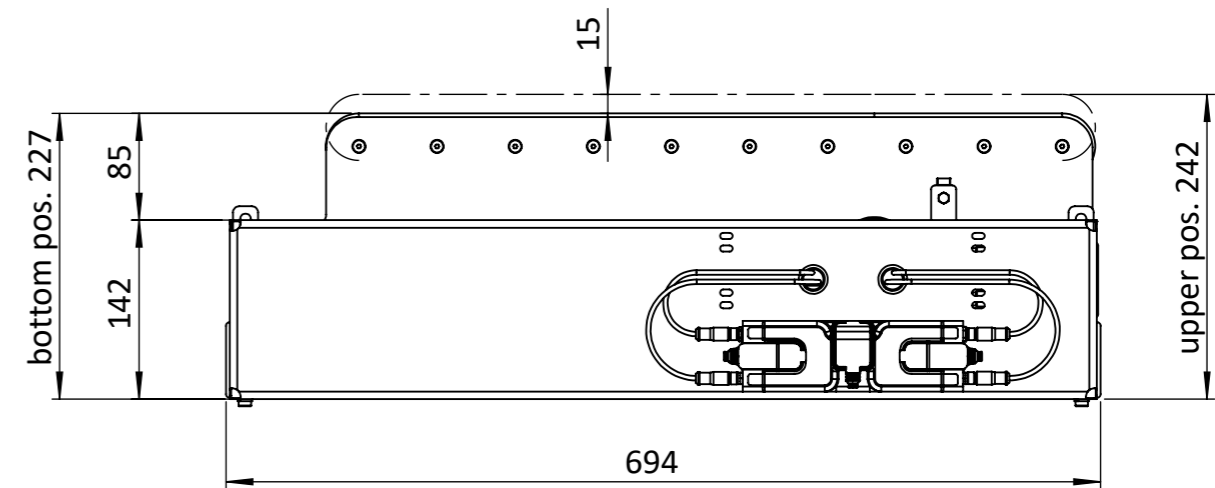
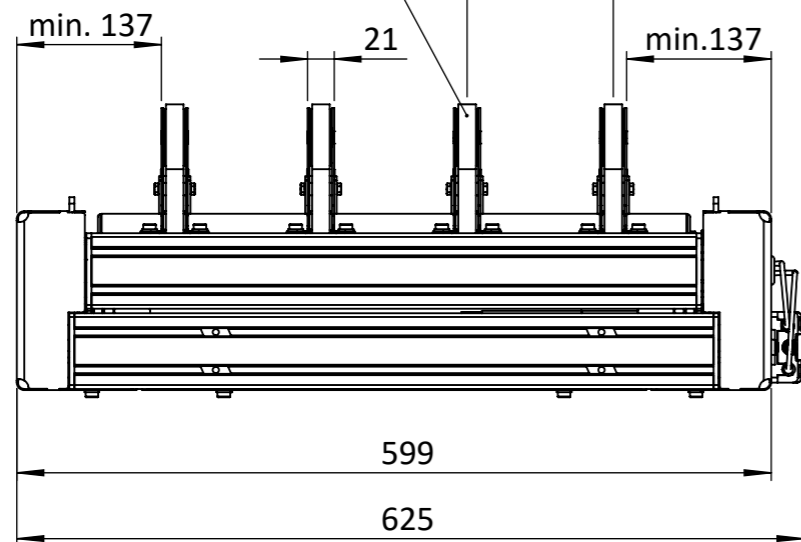


amount of belt drive units: 2 - 4 pcs.

pitch: 70 - 540
customizable



Drawing is owned by Flowsort BV, all rights reserved. Multiplication, inspection or notifications to third parties in any possible form, is not permitted without written permission from Flowsort BV.

Flowsort BV, Rudolf Dieselweg 14, 5928 RA Venlo, The Netherlands
+31(0)85-0761339 | info@flow-sort.com | www.flow-sort.com

Tolerances unless otherwise specified:				DO NOT SCALE DRAWING		UNLESS OTHERWISE SPECIFIED: DIMENSIONS ARE IN MILLIMETERS	
>0.2 to 6	>6 to 30	>30 to 120	>120	NEN-ISO 2769-mK		Edges: N12A B42 DIN 6784	
± 0.1	± 0.2	± 0.3	± 0.5	Roughness: DIN ISO 1302			
MATERIAL:				TITLE X-Flow90 Ver 1.1 700 S with 4 blades			
FINISH:				DRAWING NUMBER X-Flow90_A_Tab_V1.1			
DRAWN ON: 2024. február 21., szerda 15:40:55				DATE: 2026. április 10., péntek 7:44:33			
BY:				SAVED BY: IstvánMikle			
REMARK: Debur and break sharp edges				REVISION:			
WEIGHT: gram				SCALE: 1:6			
COPYRIGHT © RESERVED				THIRD ANGLE PROJECTION			
				SHEET 1 OF 3			

A3

SCALE: 1:6

SHEET 1 OF 3