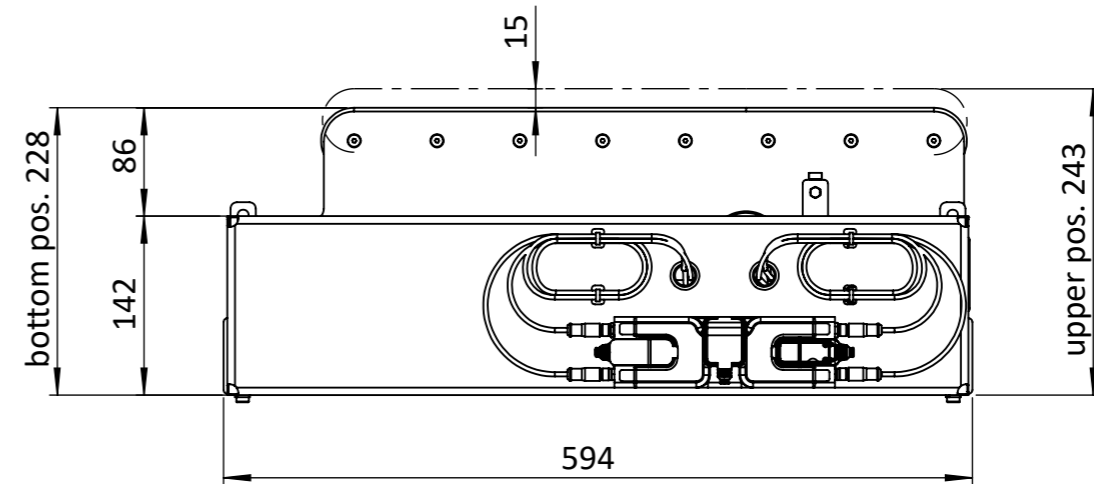
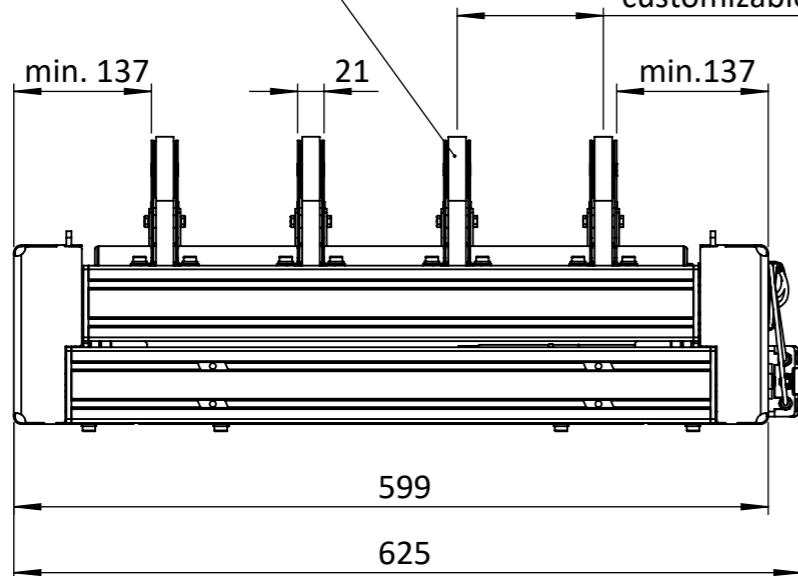


amount of belt drive units: 2 - 4 pcs.

pitch: 70 - 540
customizable



Drawing is owned by Flowsort BV, all rights reserved.
Multiplication, inspection or notifications to third parties
in any possible form, is not permitted without written
permission from Flowsort BV.

Flowsort BV, Rudolf Dieselweg 14, 5928 RA Venlo, The Netherlands
+31(0)85-0761339 | info@flow-sort.com | www.flow-sort.com

Tolerances unless otherwise specified:				DO NOT SCALE DRAWING	UNLESS OTHERWISE SPECIFIED: DIMENSIONS ARE IN MILLIMETERS
>0.2 to 6	>6 to 30	>30 to 120	>120	NEN-ISO 2769-mK	
± 0.1	± 0.2	± 0.3	± 0.5	Roughness: DIN ISO 1302	Edges: N12A B42 DIN 6784
MATERIAL:				TITLE	
FINISH:				X-Flow90 Ver 1.1 600 S with 4 blades	
DRAWN ON: 2024. február 21., szerda 15:40:55				DRAWING NUMBER	
BY:				X-Flow90_A_Tab_V1.1	
REMARK: Debur and break sharp edges				A3	
WEIGHT: gram				SCALE: 1:6	
COPYRIGHT	THIRD ANGLE PROJECTION			DATE: 2026. április 10., péntek 7:44:33	
RESERVED				SAVED BY: IstvánMikle	
				REVISION:	
				SHEET 1 OF 3	