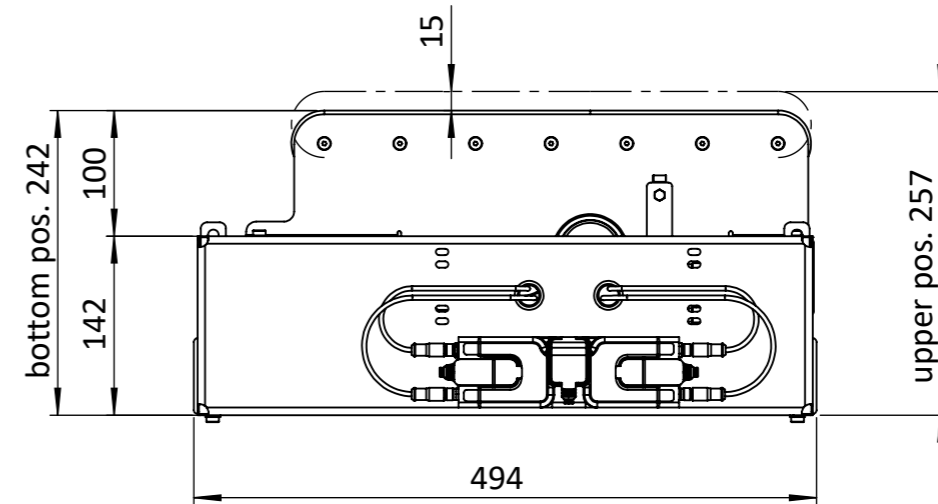
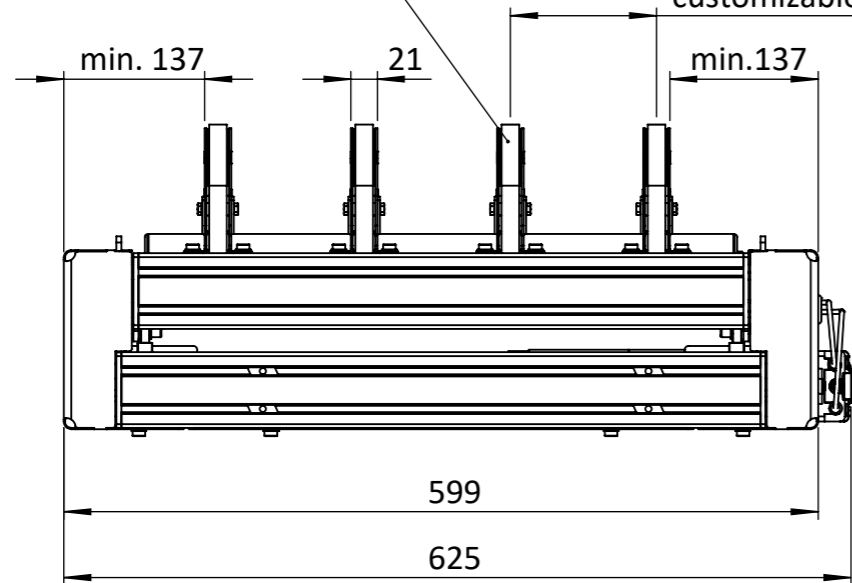




amount of belt drive units: 2 - 4 pcs.

pitch: 70 - 540 customizable



	Tolerances unless otherwise specified:				DO NOT SCALE DRAWING	UNLESS OTHERWISE SPECIFIED: DIMENSIONS ARE IN MILLIMETERS
	>0.2 to 6	>6 to 30	>30 to 120	>120	NEN-ISO 2769-mK	
	± 0.1	± 0.2	± 0.3	± 0.5	Roughness: DIN ISO 1302	Edges: N12A B42 DIN 6784
	MATERIAL:				TITLE X-Flow90 Ver 1.1 500 S with 4 blades	
	FINISH:				DRAWING NUMBER X-Flow90_A_Tab_V1.1	
	DRAWN ON: 2024. február 21., szerda 15:40:55				DRAWING NUMBER	
	BY:				X-Flow90_A_Tab_V1.1	
	REMARK: Debur and break sharp edges				DRAWING NUMBER	
	WEIGHT: gram				X-Flow90_A_Tab_V1.1	
	COPYRIGHT	THIRD ANGLE PROJECTION			DATE: 2026. április 10., péntek 7:44:33	
	RESERVED				SAVED BY: IstvánMikle	
					REVISION:	SHEET 1 OF 3

Flow sort is owned by Flowsort BV, all rights reserved. Multiplication, inspection or notifications to third parties in any possible form, is not permitted without written permission from Flowsort BV.

Flow sort BV, Rudolf Dieselweg 14, 5928 RA Venlo, The Netherlands
+31(0)85-0761339 | info@flow-sort.com | www.flow-sort.com

A3

SCALE: 1:6

SHEET 1 OF 3