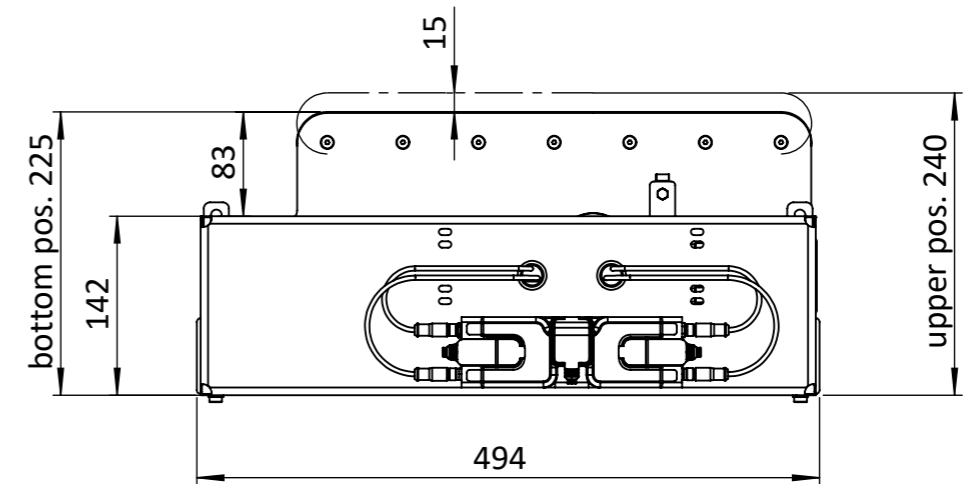
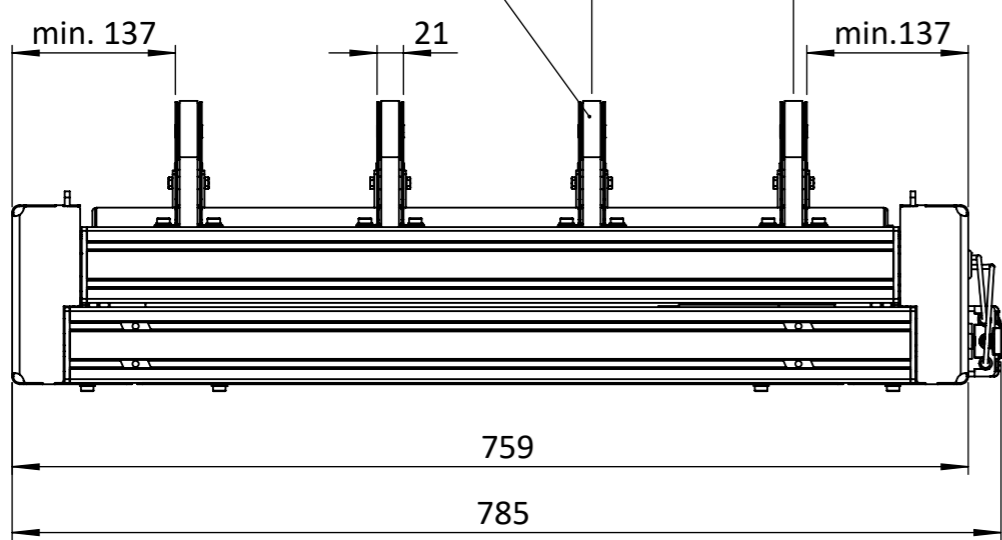



amount of belt drive units: 2 - 4 pcs. pitch: 70 - 540 customizable



 <p>Drawing is owned by Flowsort BV, all rights reserved. Multiplication, inspection or notifications to third parties in any possible form, is not permitted without written permission from Flowsort BV.</p> <p>Flowsort BV, Rudolf Dieselweg 14, 5928 RA Venlo, The Netherlands +31(0)85-0761339   info@flow-sort.com   www.flow-sort.com</p>	Tolerances unless otherwise specified:				DO NOT SCALE DRAWING		UNLESS OTHERWISE SPECIFIED: DIMENSIONS ARE IN MILLIMETERS	
	>0.2 to 6	>6 to 30	>30 to 120	>120	NEN-ISO 2769-mK			
	± 0.1	± 0.2	± 0.3	± 0.5	Roughness: DIN ISO 1302		Edges: N12A B42 DIN 6784	
	MATERIAL:				TITLE <b>X-Flow90 Ver 1.1 500 L with 4 blades</b>			
FINISH:				DRAWING NUMBER <b>X-Flow90_A_Tab_V1.1</b>				<b>A3</b>
DRAWN ON: 2024. február 21., szerda 14:40:55 BY:				REMARK: Debur and break sharp edges				
WEIGHT: gram				DRAWING NUMBER <b>X-Flow90_A_Tab_V1.1</b>				SCALE: 1:6
COPYRIGHT © RESERVED				THIRD ANGLE PROJECTION				DATE: 2026. február 23., hétfő 13:21:50 SAVED BY: GáborSzűcs
							REVISION:	SHEET 1 OF 3